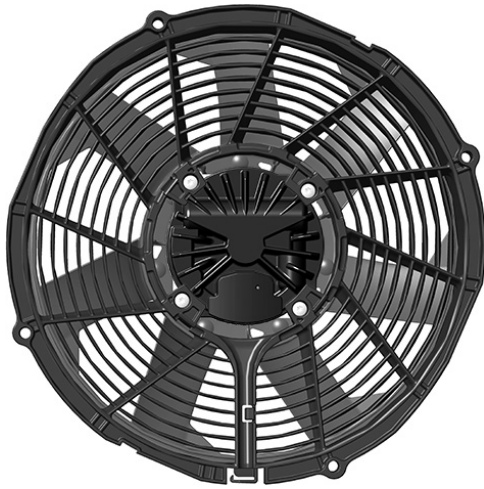
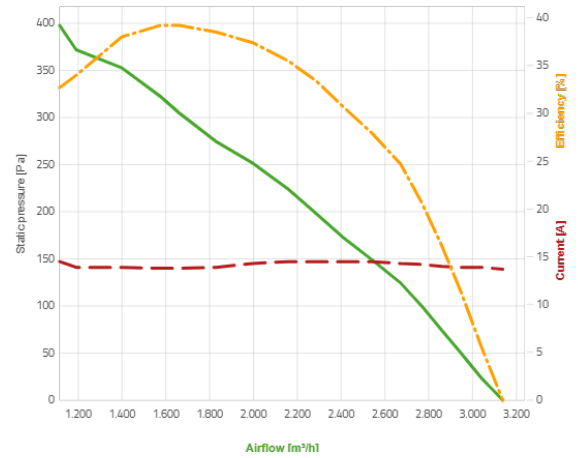


AXIAL FAN (BRUSHLESS)

VA90-BBL338P/R/A/N-94A



Performance diagram



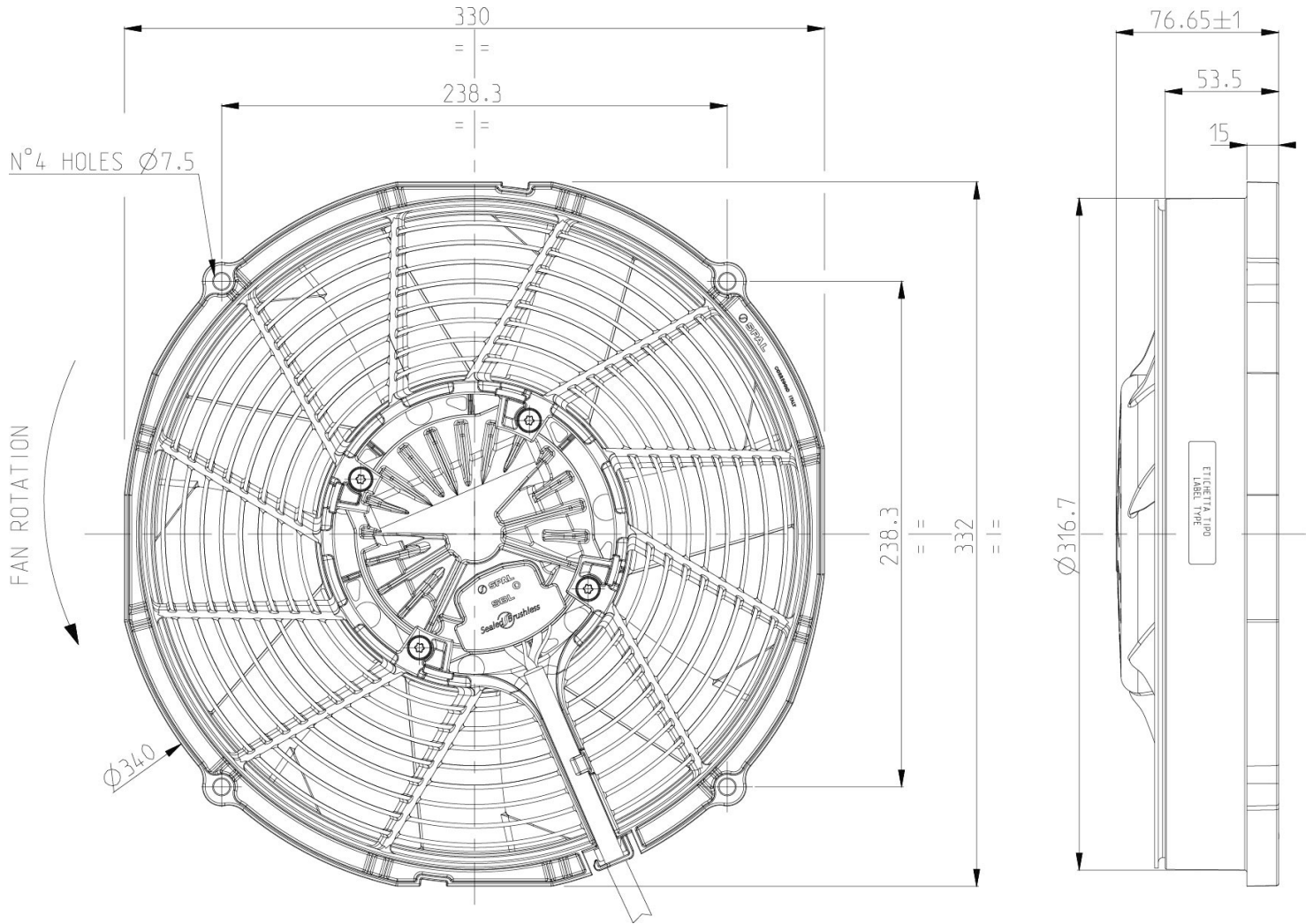
Pressure: 1 Pa = 0,004 inH2O Airflow: 1 m³/h = 0,59 cfm

Features

Protection Degree: IP68-IP6K9K		
Max fan speed	rpm	3.650
Min fan speed	rpm	900
Sound pressure level (at 1 m from the fan module - lateral side)	dBA	75.6±0.5
Weight	kg	2.4
Operating supply voltage range (at the Drive connector)	V	16.0 .. 32.0
Supply voltage to reach max speed (at the Drive connector)	V	26.0 .. 32.0
Operating ambient temperature range	°C	-40 .. +95
Speed derating threshold	°C	+85 (A)
Storage temperature range	°C	-40 .. +120
Lifetime hours up to (depending on mission profile)	h	40.000
Time from 0 rpm to max speed	s	15
Load dump protection (Pulse 5b - Pulse peak voltage (Us*) - ISO16750 - 2:2010)	V	65
Reverse polarity: ISO 16750-1 functional status class C - device fully functional after correcting the polarity		
Note (A): Few minutes ambient temperature transients do not engage the derating owing to the thermal inertia of the system. Overloads may anticipate derating.		

This is a not-controlled copy electronically created from the web site www.spalautomotive.com. The information contained herein is subject to change without notice. This catalogue/web site does not imply that any such parts are available for supply. The publisher and any party associated with the production of this catalogue/web site do not accept any responsibility or liability whatsoever (to the extent permitted by law) for any inaccuracy, error, misinformation or misleading statements, whether negligently caused or otherwise, contained in this publication. This publication is protected by copyright and may not be reproduced or copied (using any method of reproduction or copying), sold, transmitted, circulated or otherwise forwarded to third parties, in whole or part, without prior written consent of the author.

SPAL Automotive s.r.l. via per Carpi 26/B 42015 Correggio IT REG.IMP CF e PIVA IT01755790357



This is a not-controlled copy electronically created from the web site www.spalautomotive.com. The information contained herein is subject to change without notice. This catalogue/web site does not imply that any such parts are available for supply. The publisher and any party associated with the production of this catalogue/web site do not accept any responsibility or liability whatsoever (to the extent permitted by law) for any inaccuracy, error, misinformation or misleading statements, whether negligently caused or otherwise, contained in this publication. This publication is protected by copyright and may not be reproduced or copied (using any method of reproduction or copying), sold, transmitted, circulated or otherwise forwarded to third parties, in whole or part, without prior written consent of the author.